



NOUS VIVONS SAIN
We live healthy



PRESSURE COOKER СКОРОВАРКА



“Vitesse France S.A.R.L.”
91 rue du Faubourg Saint Honore
75008 Paris-France
www.vitessehome.com



VS-524

En

DEAR CUSTOMER! YOU HAVE MADE AN EXCELLENT DECISION!
ViTESSE Home trade mark offers you an exclusive, high quality range of appliances for your ultimate home luxury and healthy living.

SAFETY INSTRUCTIONS

Read the operating instructions carefully before putting the appliance into operation and keep the instructions including the warranty, the receipt and, if possible, the box with the internal packing. If you give this device to other people, please also pass on the operating instructions.

IMPORTANT SAFEGUARDS

When using electrical appliances, basic safety precautions should be always followed including the following:

1. Read all instructions
2. Do not touch hot surfaces of pressure cooker .Use handles only.
3. Close supervision is necessary when the pressure cooker is used near children. it is not intended for use by children.
4. **NEVER ATTEMPT TO OPEN THE LID WHILE THE UNIT IS OPERATING.**
Do not open the pressure cooker until the unit has cooled and all internal pressure has been released .If lid is difficult to rotate, this indicates that the cooker is still pressurized. Do not force it to open .Any pressure in the cooker can be dangerous. See operating instruction.
5. Do not place the pressure cooker in a heated oven or any stovetop.
6. Extreme caution must be used when moving a pressure cooker containing hot liquids or foods.
7. Do not use the pressure cooker for other than intended use.
8. This appliance cooks under pressure. Improper use may result in body burnt. Make certain unit is properly closed before operating. See Operating instructions, page 4.
9. Do not fill unit over 3/5 full. When cooking foods that expand during cooking, such as dried vegetables, legumes, beans and grains, do not fill the unit over 1/2 full .Overfilling may cause a risk of blocking the pressure limit valve and developing excessive pressure.
10. To avoid the risk of electrical shock, do not immerse cord, plugs, or outer vessel in water or other liquids.

11. Unplug from outlet when not in use and before cleaning. Allow to cool before putting on or removing parts.
12. Do not operate any appliance with a damaged cord or plug or after the appliance malfunctions or has been damaged in any method.
13. Do not let cord hang over edge of table or counter, or touch hot surfaces.
14. Use of accessories not specifically recommended by us may cause damage.
15. Do not use outdoors.
16. Do not use under hanging cabinets; steam from pressure release may cause damage.
17. Always attach plug to appliance first, before plugging into wall outlet .To disconnect, turn control to "Cancel", then remove plug from outlet.
18. Always check the pressure release devices for blocking before use.
19. Do not use the pressure cooker for pressure frying oil.

SAVE THESE INSTRUCTION FOR HOUSEHOLD USE ONLY

SAFETY FEATURES:

Lid-lock protection

The appliance will not start pressurizing until the lid is closed and locked properly. The lid is closed and locked properly. The lid cannot be opened if the appliance is filled with pressure.

Float valve protection

When the lid is played on the desired position, and there is enough pressure inside the inner pot, the float valve is pushed up by the pressure .Once pushed up; the pin of the float valve serves as latch lock and prevents the lid from the turning movement, even under force.

Pressure limit valve

The pressure limit valve will release air automatically when the pressure inside exceeds the preset temperature (90kPa).

Anti-blockage Vent

During cooking, food particles could jam the steam release vent. Electric pressure cooker has specially structured vent shield to prevent jamming the steam release. Anti-jam shield prevents jamming of the steam release.

Automatic Pressure Control

The pressure sensor mechanism keeps the operating pressure between 50kPa-70kPa.

High Temperature Warning

If the cooker is operating with out water or moisture, pressure will not be built up in the pot. Over heating become the most likely outcome. Excessive temperature may also build up due to situations such as, missing inner pot, inner pot not proper contact with heating element. Or inner pot having heat dissipation problem (e.g. burnt starch at the bottom of the inner pot blocking heat dissipation). Under such conditions, electric pressure cooker will stop heating when the temperature is over a certain limit and sound alarm.

Extreme Power Protection

Electric pressure cooker is equipped with a special fuse which disconnects power at excessively high temperature, i. e. 169°C-172°C, and extremely high electrical current. A extremely high electrical current drawn by the cooker indicates and unsafe situation.

Pressure Regulator Protection & Excess Pressure protection

If the pressure exceeds 200kPa, the steam release (comparable to the pressure regulator in stove-top pressure cooker) will be pushed up to allow the steam being released to bring down the pressure inside the pot.

If the pressure becomes too high and pressure regulator protection malfunctioned, electric pressure cooker's internal protection mechanism will activate, shifting the inner pot downwards to create a gap between the lid and the inner pot. Steam will be released from the gap into the internal chamber and heating stopped.

Anti-skidding feet

To prevent the body from moving when working.

Lid Close Detection

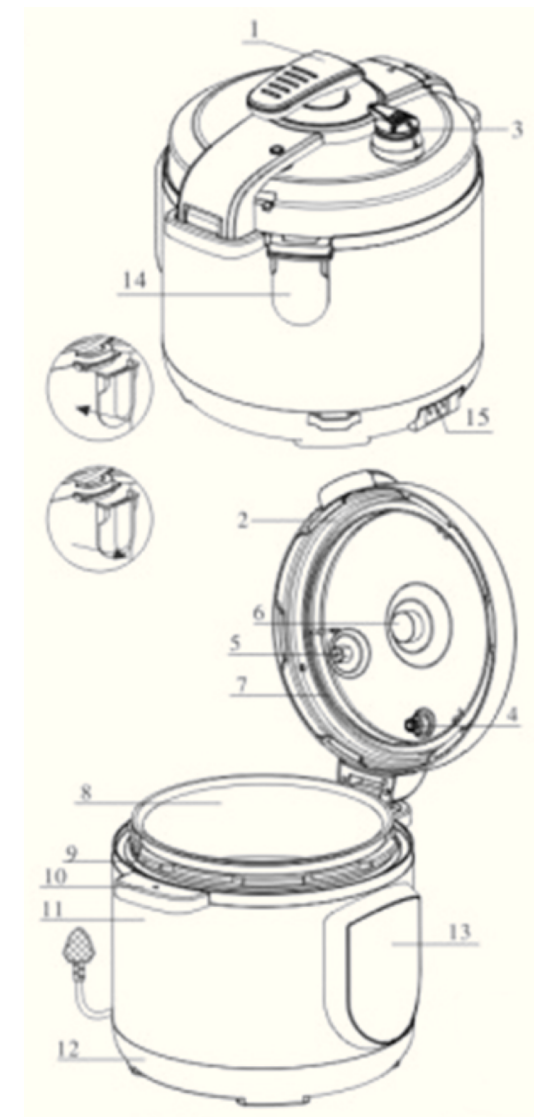
If the lid is missing or not closed properly, electric pressure cooker will not activate pressurized cooking. Only the keep-warm function works to allow warning stockpot while serving.

Extreme temperature protection

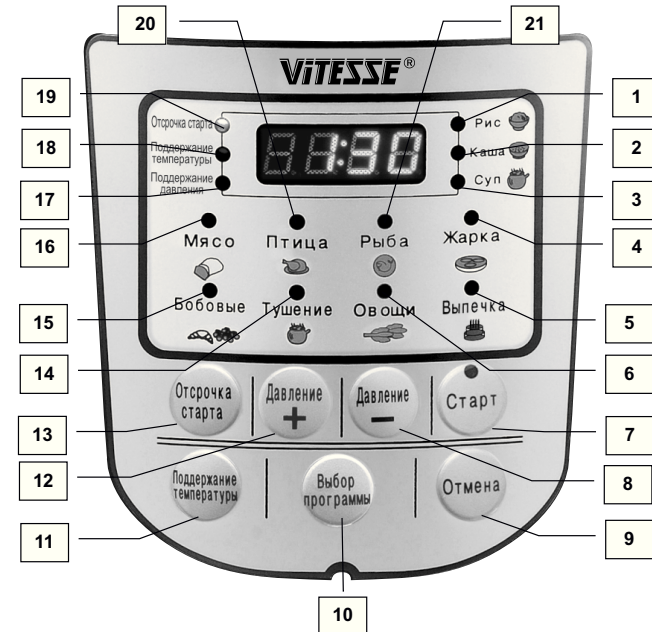
If the temperature inside is more than the limited temperature, all of the protection equipment will out of order and the electric pressure cooker shut off automatically.

PARTS AND FEATURES

1. Handle
2. Cover
3. Pressure limit valve
4. Float valve
5. Anti-block shield
6. Cover fixed nut
7. Rubber ring
8. Inner pot
9. Middle layer
10. Middle ring
11. Shell
12. Bottom Plate
13. Control manual
14. Condensation collector
15. Socket



CONTROL PANEL



1. Indication program Rice»
2. Indication program Congee
3. Indication program Soup
4. Indication program Fry
5. Indication program Cake
6. Indication program Vegetables
7. START-button for turn on the selected programs
8. PRESSURE "-" for reduction cooking time
9. CANCEL-button for turn off the selected programs
10. CHOSE PROGRAM-button for chose the programs
11. KEEP WARM-button for turn on the "KEEP WARM" mode
12. PRESSURE "+" for increase the cooking time
13. PRESET for turn on the "PRESET START"-function
14. Indication program Stew
15. Indication program Tendon / Bean
16. Indication program Meat
17. Indication for PRESSURE-mode
18. Indication for KEEP WARM-mode
19. Indication for PRESET-mode
20. Indication for program Chicken
21. Indication for program Fish

INTRODUCTION

You're about to experience a better, faster, and healthier way of cooking. Your Vitesse Electric Pressure Cooker seals in nutrients are well. Cook in less water and experience textures and tastes that are simply sensational.

USAGE THE UNIT

BEFORE FIRST USE

Remove any packing materials from your electric pressure cooker. Be sure all parts have been included before discarding any packaging materials. You may want to keep the box and packing materials for future use. Before using your electric pressure cooker the first time, remove any dust from shipping by wiping clean with a damp cloth. Thoroughly clean the lid and the inner pot. The inner pot can be cleaned with warm soapy water. Rinse with clean water, towel or air dry, and place into the pressure cooker.

1. Place the pressure cooker on a clean, flat surface where you intend to cook.
2. Place the condensation collector in rear of the unit until it clicks into place.
3. Place the pressure limit valve on the lid. Note: The pressure limited valve does not click or lock into place. Even though it will have a loose fit, it's safely secured.

INSTRUCTIONS FOR USE

Once the pressure cooker is assembled properly, you are ready to begin pressure cooking.

1. Open the lid: hold the handle with your hand, rotate the lid in clockwise direction until the "open" position, then bring up the lid (picture 1.2.3)



2. Take out the inner pot, put the food into the pot:
 - 2.1 Remove inner pot from pressure cooker and add food and liquids. Note: The total volume of food and liquid must not exceed 4/5 of the capacity of

the inner pot; and the balance space need develop pressure, for foods, such as dried vegetables and beans, or rice and grains, the total volume must not exceed 3/5 capacity. Always use at least 20% cup liquid when pressure cooking.

2.2 Capacity of 5L the maximum rice you can add is 10cups.

2.3 Normally one cup of rice need one cup of water, however, you can adjust it according to your taste.

3. Put the inner pot into the cooker :

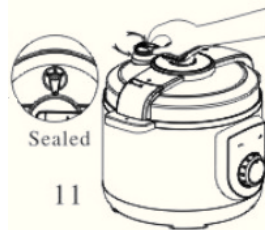
Before doing it, please make sure the inner pot and heat plate dry and clean, and there are no other sundries. After done, move the pot left and right lightly, make sure the pot and heat plate in well contact.

4. Close the lid :

4.1 Check whether the Rubber ring have put into the inner steel ring.

4.2 Move the rubber ring left and right, make sure it's equality put into the inner lid panel.

4.3 Hold the handle with your hand; put the lid in the position "open", rotate the lid in anticlockwise direction until the "close" position.



5. Set the safety valve

Move the safety valve to the position shown "sealed" and check whether the float-controlled valve has been press down. (Before working the float-controlled valve is down).

6. Plug the power cord into the pressure cooker and then into the wall outlet .The LED display will show "00:00 ".

OPERATING INSTRUCTIONS

Before using the pressure cooker each time, check to be sure that the rubber gasket and the pressure regulator valve are clean and positioned properly. Plug the cord into a wall outlet, the screen is in blue color and you will hear "BEEP" voice that means your cooker is good at connection, Touch the Manu button to choose any desired function button to start cooking.

Rice: Press the function button to Rice function, the light is on, LED display will read default cooking time P:12 with flash, the adjustable cooking time is 1-20mins you can choose cooking time by pressing "+/-" button, if you don't need to adjust the cooking time, then press the Start button to start cooking.

Congee: Press the function button to Congee function, the light is on, LED display will read default cooking time P: 15 with flash, the adjustable cooking time is 1-35mins you can choose cooking time by pressing "+/-" button. If you don't need to adjust the cooking time, then press the Start button to start cooking .

Soup: Press the function button to Soup function, the light is on, LED display will read default cooking time P: 25 with flash, the adjustable cooking time is 1-40mins you can choose cooking time by pressing "+/-" button. if you don't need to adjust the cooking time, then press the Start button to start cooking.

Fry: Press the function button to Fry function, the light is on, LED display will read default temperature 180°C with flash, then press start button the cooker will heat up, when the cooker get dry, add 300ml Oil and heat up 10mins, then add the ingredients. (The cooker will turn off automatically after 2 hours).

Fish: Press the function button to Fish function, the light is on, LED display will read default cooking time P:5 with flash, the adjustable cooking time is 1-15mins you can choose cooking time by pressing "+/-" button. If you don't need to adjust the cooking time, then press the Start button to start cooking.

Chicken: Press the function button to Meat/Chicken function, the light is on, LED display will read default cooking time P: 13 with flash, the adjustable cooking time is 1-30mins you can choose cooking time by pressing "+/-" button. if you don't need to adjust the cooking time, then press the Start button to start cooking.

Meat: Press the function button to Beef function, the light is on, LED display will read default cooking time P: 35 with flash, the adjustable cooking time is 1-55mins you can choose cooking time by pressing "+/-" button. if you don't need to adjust the cooking time , then press the Start button to start cooking.

Tendon/Bean: Press the function button to Tendon/bean function, the light is on, LED display will read default cooking time P: 40 with flash, the adjustable cooking time is 1-60mins you can choose cooking time by pressing "+/-" button. if you don't need to adjust the cooking time, then press the Start button to start cooking.

Stew: Press the function button to Stew function, the light is on, LED display will read default cooking time P:50 with flash , the adjustable cooking time is 1-90mins you can choose cooking time by pressing "+/-" button. if you don't need to adjust the cooking time , then press the Start button to start cooking .

Vegetable: Press the function button to Vegetable function, the light is on, LED display will read default cooking time P: 1 with flash, the adjustable cooking time is 1-10mins you can choose cooking time by pressing "+/-" button. if you don't need to adjust the cooking time , then press the Start button to start cooking .

Cake: Press the function button to Cake function, the light is on, LED display will read default cooking time P: 32 with flash, the adjustable cooking time is 20-40mins you can choose cooking time by pressing "+/-" button. if you don't need to adjust the cooking time , then press the Start button to start cooking .

Note:

1. **If you don't touch start button after chosen the cooking function, the cooker will turn to standby mode automatically in 10 seconds.**
2. **Screen display time is the pressure preservation time only, not whole working cycle time, the time would begin to count only after the pressure reaches the operating pressure"**

Preset

A: Preset: Press the button, the light is on and the LED display will read 00:30 meaning half an hour timer. Press the button (the increment & decrement is 30 minutes) until it reaches the desired time. The electric pressure cooker will

start cooking after the set desired time is elapsed. The preset time is 24hours; you could set the preset time according to your personal needs.

For example: It is 10:00am now and you want your porridge to be ready by 6:00pm. The porridge calls for 40 minutes of pressure cooking .You can set the time 07:00 and your porridge will be ready at 5:40pm. The automatic warm function will ensure that is could not get cold.

Keep Warm/Cancel

A. Automatic Keep Warm: when LED display reaches "bb", the pressure cooker automatically shifts to Keep Warm temperature .The Keep Warm light will turn on and unit will beep to indicate that the cooking is complete.

Note: The Keep Warm setting should not be used for more than 12 hours, the quality or texture of the food will begin to change after 1 hour on Keep Warm. In the Keep Warm setting .a little condensation in the upper ring is normal.

B. Cancel: Users can reset the function or cancel the timing set up anytime by pressing the Cancel button.

To remove the lid: When pressure cooking cycle finished, the unit will automatically switch to Keep Warm position. At this point you may choose the release pressure in 1or 2 ways Natural pressure release.

Quick pressure release .The choice will be indicated by the particular food being cooked.

1. **Natural Pressure Release -** Once pressure cooking is done **the unit will switch** to remain to Keep Warm. The pressure will begin to drop time (for pressure to drop will depend on the amount of liquid in the pressure cooker) and the length of time that pressure was maintained. Natural pressure release will take from 12-30minutes .During this time cooking continues, so it is recommended for certain cuts of meats, and some desserts. When pressure is fully released, the float (pressure indicator) will drop and the lid will unlock to open.

2. **Quick Pressure Release-**Following pressure cooking you will hear a series of beeps indicating the process is finished. Turn off and pull the handle of the pressure limit valve forward (Picture7).

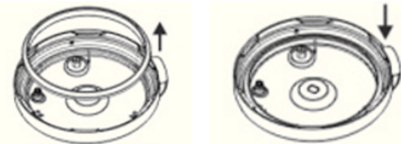
Do not touch with your hand .Use tongs or another tool. Steam will immediately begin to release through the valve. Keep face and hands away from steam as it is released, and do not release pressure under hanging cabinets, which can be damaged by steam. When pressure is fully released, the pressure indicator will drop and the lid will unlock to open. Using Quick pressure release stops the pressure cooking immediately.

Note: This item was designed with cooking time memory function. Cooking time can be memorized within 6 hours after power cut off. And it starts

CLEANING

1. Unplug the power cord before cleaning.
2. Clean the outer body with a soft cloth such as a paper towel or microfiber cloth. Do not immerse the outer body in water or pour water into it.
3. Rinse with warm water the underside of the lid including the sealing rings, pressure limit valve, anti-block shield, and float valve. Dry completely.
4. Clean area under upper ring with dampened cloth or microfiber cloth. Do not use chemical cleaners.
5. Inner pot (aluminum with coating is not dishwasher-safe). To hand-clean the inner pot, use a soft cloth or sponge and wipe. Be careful not to damage the inside coating.
6. To clean sealing ring, hold the knob on the sealing ring supporting cover and pull the sealing ring up. After cleaning, put the sealing ring supporting cover back.

Note: The side with the knob should face outward. Do not put it upside down.



7. To clean rubber grommet located in center of sealing ring supporting cover, carefully remove the sealing ring supporting cover and clean the grommet, then replace it.
8. To clean the condensation collector, remove and clean it with warm soapy water, then reinstall it.

TECHNICAL DATA

Power: 900 Watts

Volume: 5.0 L

Rating voltage: 220-240V ~ 50/60Hz

Subject to technical changes without prior notice!



Protect our environment: do not dispose of electrical equipment in the domestic waste. Please return any electrical equipment that you will no longer use to the collection points provided for their disposal.

This helps avoid the potential effects of incorrect disposal on the environment and human health. Information concerning where the equipment can be disposed of can be obtained from your local authority.

Ru

Уважаемые покупатели! Вы приняли блестящее решение!
Торговая марка VITESSE® предлагает Вам коллекцию высококачественных приборов для несомненно роскошного и здорового образа жизни.

РУКОВОДСТВО ПО ЭКСПЛУАТАЦИИ

Перед первым использованием прибора внимательно прочитайте руководство по эксплуатации. Сохраните руководство для дальнейших консультаций.

МЕРЫ БЕЗОПАСНОСТИ И ПРЕДОСТОРОЖНОСТИ

Во время эксплуатации прибора всегда придерживайтесь нижеперечисленных мер предосторожности:

1. Не позволяйте детям играть с устройством. Храните скороварку в месте, не доступном для детей.
2. Не прикасайтесь к горячей поверхности скороварки, держите за ручки.
3. Использование деталей, не рекомендованных производителем, может привести к поломкам.
4. Не используйте устройство, если шнур питания или штепсельная вилка повреждены.
5. Следите за тем, чтобы шнур питания не касался горячих поверхностей и не свисал с края стола.
6. Перед тем как отсоединить устройство от электросети, убедитесь, что оно выключено.
7. Всегда отключайте устройство от электросети, прежде чем приступить к его чистке или ремонту.
8. Не ставьте устройство рядом с кухонной плитой или нагревательными приборами.
9. Не накрывайте устройство и не ставьте его рядом с легковоспламеняющимися предметами, близко к шторам, стенам и т.п.
10. Используйте устройство только в хорошо вентилируемых помещениях.
11. Не погружайте шнур питания, штепсельную вилку и саму скороварку в воду или другие жидкости.

12. Если в работе устройства возникли неполадки, оно было каким-либо образом повреждено или опущено в воду, не используйте его и обратитесь в сервисный центр!
13. Будьте осторожны с ручкой регулятора давления, не подходите слишком близко во время выпуска пара.
14. Будьте внимательны, снимая крышку после окончания приготовления. Выход пара из скороварки может стать причиной серьезных ожогов.
15. Не передвигайте скороварку во время приготовления.
16. Перед тем как приступить к приготовлению, убедитесь, что съемная чаша скороварки установлена.
17. Не накрывайте клапаны давления, это может привести к взрыву.
18. Не закладывайте и не доставайте из скороварки продукты, если она подключена к электросети.
19. Используйте для приготовления только съемную чашу, идущую в комплекте с прибором.
20. Не подключайте скороварку к удлинителю. Если же удлинитель все-таки используется, убедитесь, что он соответствует техническим характеристикам устройства.
21. Скороварка предназначена исключительно для домашнего использования! Не используйте скороварку не по назначению.
ВНИМАНИЕ: Не применяйте скороварку для жарки во фритюре. Это может стать причиной возгорания.
22. Будьте аккуратны при перемещении скороварки, если в ней находится горячая еда или жидкость.
23. Осмотр и ремонт устройства должен производить только квалифицированный специалист.
24. Это устройство не предназначено для использования детьми и людьми с ограниченными физическими, психическими и умственными способностями, а также людьми, не обладающими необходимым опытом и умениями, если только они не были ознакомлены с правилами эксплуатации прибора лицами, ответственными за их безопасность.
25. Не используйте съемную чашу для хранения продуктов!
ВНИМАНИЕ: Не следует оставлять в съемной чаше скороварки скоропортящиеся продукты (мясо, рыбу, молочные продукты) при комнатной температуре более чем на 2 часа. При температуре выше 30°C оставляйте продукты не более чем на 1 час.

МНОГОУРОВНЕВАЯ СИСТЕМА БЕЗОПАСНОСТИ

Благодаря тщательно подобранным современным технологиям скороварка ViTESSE® безопасна для эксплуатации и приготовления в ней пищи. Скороварка ViTESSE имеет многоуровневую систему безопасности:

1. БЛОКИРОВКА КРЫШКИ

Крышка не может быть открыта, если прибор находится под давлением.

2. ПОПЛАВКОВЫЙ КЛАПАН

Когда крышка закрыта, и прибор находится под давлением - поплавковый клапан под действием давления поднимается вверх. В таком положении поплавковый клапан блокирует крышку и препятствует повороту крышки, даже с применением силы.

3. КЛАПАН ПРЕДЕЛЬНОГО ДАВЛЕНИЯ

Клапан предельного давления автоматически спускает воздух из скороварки, если внутреннее давление превысит отметку в 90 кПа.

4. АНТИБЛОКИРОВКА ВЕНТИЛЯЦИИ

Во время приготовления частицы пищи могут блокировать отверстие выпуска пара. Скороварка ViTESSE имеет специальный защитный экран, предотвращающий блокировку паровыпуска.

5. АВТОМАТИЧЕСКИЙ КОНТРОЛЬ ДАВЛЕНИЯ

Автоматический механизм контроля давления поддерживает рабочее давление в пределах от 50 до 70 кПа.

6. ЗАЩИТА ОТ ПЕРЕГРЕВА

В том случае, если в скороварке отсутствует вода или иная жидкость, давление не будет нагнетаться во избежание возможного перегрева. Причинами перегрева также могут быть отсутствие внутренней кастрюли или плохой контакт кастрюли с нагревательным элементом. Кроме того, внутренняя кастрюля может иметь проблемы, связанные с теплопроводностью (например, нагар на дне кастрюли может блокировать надлежащее проведение тепла). В том случае, если температура превышает максимально допустимое значение, скороварка автоматически прекращает нагрев и подает звуковой сигнал.

7. ЗАЩИТА ОТ ВЫСОКОГО ТОКА

Сковарка ViTESSE оснащена специальным предохранителем, который отключает питание, если показатели температуры или электротока превышают максимально допустимые.

8. РЕГУЛЯТОР ДАВЛЕНИЯ И ЗАЩИТА ОТ ИЗБЫТОЧНОГО ДАВЛЕНИЯ

Если давление превышает 200 кПа, клапан паровыпуска поднимается, чтобы снизить внутреннее давление. Если давление становится слишком высоким и регулятор давления выходит из строя, активируется механизм защиты - внутренняя кастрюля выдвигается вниз, и появляется зазор между кастрюлей и крышкой. Излишний пар выходит и нагрев останавливается.

9. ПРОТИВОСКОЛЬЗАЮЩИЕ НОЖКИ

Предотвращают скольжение прибора во время работы.

10. КОНТРОЛЬ ЗАКРЫТИЯ КРЫШКИ

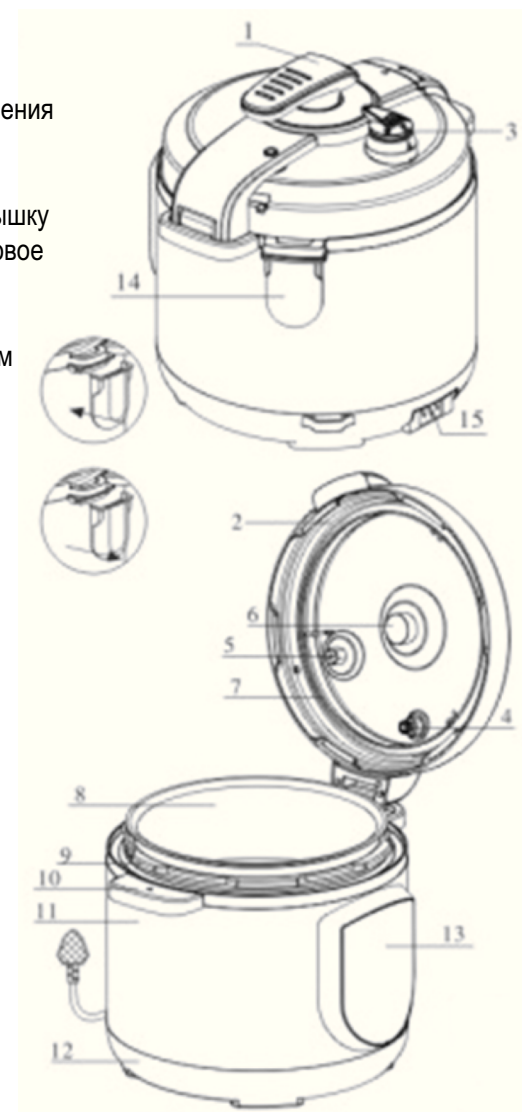
Если крышка отсутствует или закрыта неправильно, скороварка не может активировать процесс нагнетания давления.

11. КОНТРОЛЬ ПРЕДЕЛЬНОЙ ТЕМПЕРАТУРЫ

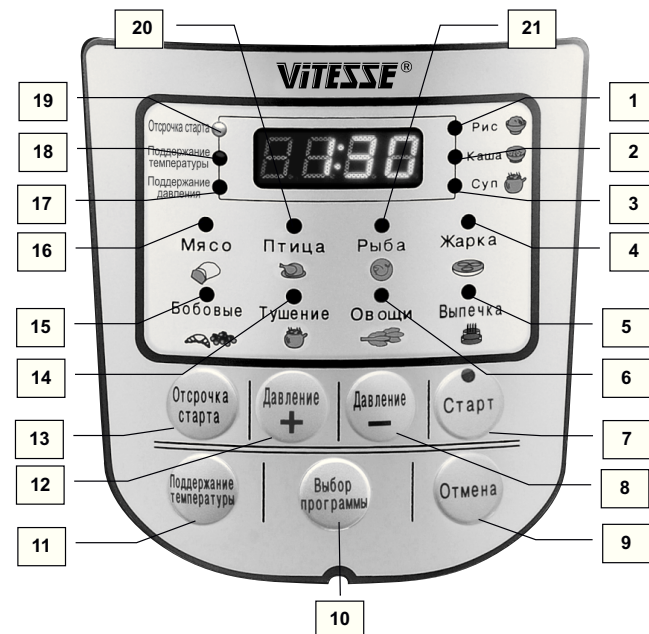
Если внутренняя температура превышает максимально допустимую, скороварка отключается автоматически.

СХЕМА ПРИБОРА

1. Ручка
2. Крышка
3. Поплавковый клапан (вид снаружи)
4. Клапан предельного давления
5. Поплавковый клапан (вид изнутри)
6. Втулка, фиксирующая крышку
7. Уплотнительное силиконовое кольцо
8. Внутренняя чаша с антипригарным покрытием
9. Внутренний слой литого металла
10. Ручки прибора
11. Корпус прибора
12. Дно прибора с ножками
13. Панель управления
14. Конденсатор
15. Разъем сетевого шнура



ПАНЕЛЬ УПРАВЛЕНИЯ



1. Индикация программы «РИС»
2. Индикация программы «КАША»
3. Индикация программы «СУП»
4. Индикация программы «ЖАРКА»
5. Индикация программы «ВЫПЕЧКА»
6. Индикация программы «ОВОЩИ»
7. Кнопка «СТАРТ» - для включения выбранных программ приготовления
8. Кнопка «Давление -» - для уменьшения времени приготовления под давлением
9. Кнопка «ОТМЕНА» - для отмены выбранных программ приготовления
10. Кнопка «ВЫБОР ПРОГРАММЫ» - кнопка выбора программ приготовления
11. Кнопка «ПОДДЕРЖАНИЕ ТЕМПЕРАТУРЫ» - для включения режима поддержания тепла готовых блюд
12. Кнопка «Давление +» - для увеличения времени приготовления под давлением
13. Кнопка «ОТСРОЧКА СТАРТА» - для выбора функции отсрочки старта
14. Индикация программы «ТУШЕНИЕ»
15. Индикация программы «БОБОВЫЕ»
16. Индикация программы «МЯСО»
17. Индикация работы в режиме поддержания давления
18. Индикация работы в режиме поддержания температуры готовых блюд
19. Индикация работы программы «ОТСРОЧКА СТАРТА»
20. Индикация программы «ПТИЦА»
21. Индикация программы «РЫБА»

ЭКСПЛУАТАЦИЯ ПРИБОРА

Электрическая скороварка ViTESSE® - многофункциональный кухонный прибор, который изменит Ваш взгляд на кухонную технику.

Благодаря современным технологиям приготовления пищи под давлением скороварка ViTESSE® позволит Вам готовить любимые блюда в несколько раз быстрее! При этом Вы не только существенно снизите затраты электроэнергии (по сравнению с обычной плитой), но и сохраните в продуктах все витамины и питательные вещества. А блюда получаются ароматными, полезными и необыкновенно вкусными.

ПЕРЕД ПЕРВЫМ ИСПОЛЬЗОВАНИЕМ

1. Распакуйте скороварку. Удалите все пакеты, упаковочный пенопласт, наклейки и ярлыки. Убедитесь, что вместе с упаковкой не выбрасываете комплектующие и аксессуары.
2. Чтобы снять крышку со скороварки, возьмите за ручку, поверните крышку по часовой стрелке и поднимите.
3. Промойте съемную чашу в мыльной воде. Затем протрите ее насухо.
4. Протрите корпус скороварки влажной губкой.

ВНИМАНИЕ: Никогда не погружайте скороварку в воду или другие жидкости. Никогда не мойте детали устройства в посудомоечной машине!

РЕКОМЕНДАЦИИ ПО КОЛИЧЕСТВУ ПРОДУКТОВ

1. Общий объем продуктов и жидкости не должен превышать 80% объема съемной чаши (20% свободного объема необходимы для нагнетания давления в процессе приготовления)
2. При приготовлении бобовых, риса и круп общий объем не должен превышать 60% объема чаши.
3. Всегда используйте не менее одного мерного стакана жидкости, если готовите под давлением.
4. Максимальный объем риса, который вы можете готовить в 5х литровой чаше - 10 мерных стаканов. Как правило, на 1 стакан риса полагается 1,5 стакана воды. Однако, рекомендуем ориентироваться на собственные вкусовые предпочтения.

ПРИГОТОВЛЕНИЕ БЛЮД В СКОРОВАРКЕ

1. Поместите скороварку на чистую, ровную, устойчивую поверхность, соответствующую требованиям безопасности.
2. Установите конденсатор на предусмотренное место в левой задней части устройства до щелчка.
3. Откройте крышку, держась за ручку и поворачивая ее против часовой стрелки (вправо) до упора. Затем откройте крышку (Рис. 1-3).



4. Достаньте съемную чашу для приготовления и загрузите в нее ингредиенты в соответствии с рецептом.
5. Установите чашу для приготовления в устройство. Поверните чашу из стороны в сторону, чтобы убедиться, что она установлена правильно и имеет хороший контакт с нагревательным элементом.
ПРИМЕЧАНИЕ: Прежде чем поместить чашу в устройство убедитесь, что нагревательный элемент сухой и чистый. Не допускайте попадание посторонних предметов между съемной чашей и нагревательным элементом.
6. Закройте крышку и поверните ее против часовой стрелки (влево), пока не сработает блокировка.
ПРИМЕЧАНИЕ: Приготовление пищи возможно также и с открытой крышкой (см. книгу рецептов), при этом давление нагнетаться не будет.
7. Установите поплавковый клапан в положение «□» (закрыто).
ПРИМЕЧАНИЕ: поплавковый клапан не имеет жестко зафиксированного положения. Свободный поворот клапана является абсолютно нормальным и функциональным свойством клапана.
8. Подключите шнур к устройству, а затем вставьте вилку в розетку. После подключения скороварки к электросети на дисплее появится значение «00:00».


9. Выберите подходящий для данного блюда режим приготовления с помощью кнопки «ВЫБОР ПРОГРАММЫ». После выбора режима приготовления на дисплее появится время приготовления блюда под давлением.

ВНИМАНИЕ: время, указанное на дисплее, является временем приготовления блюда только под давлением. Общее время приготовления зависит от количества ингредиентов, и в среднем общее время приготовления будет складываться из времени приготовления под давлением и времени, которое затрачивается на нагрев и нагнетание давления (7-15 минут в зависимости от количества продуктов).

Например, при приготовлении 300 г риса на дисплее будет указано время 12 минут, соответственно общее время приготовления будет около 20 минут.

10. Нажмите кнопку «СТАРТ», и скороварка начнет процесс приготовления.
ВНИМАНИЕ: Если кнопка «СТАРТ» не нажата в течение 10 секунд после выбора программы, скороварка автоматически переключается в режим ожидания.
ПРИМЕЧАНИЕ: Для отмены выбранной программ приготовления нажмите кнопку «ОТМЕНА».
11. После окончания приготовления скороварка подаст звуковой сигнал и перейдет в режим поддержания температуры (при этом загорится световой индикатор «ПОДДЕРЖАНИЕ ТЕМПЕРАТУРЫ»). Для отмены режима нажмите кнопку «ОТМЕНА».
12. После окончания приготовления, прежде чем открыть крышку прибора, необходимо обеспечить снижение давления. Для этого Вы можете воспользоваться одним из двух возможных способов спуска давления:
ВНИМАНИЕ: Никогда не открывайте крышку с применением силы. Крышка открывается, только когда давление сброшено.
- **Естественный спуск давления.** После окончания цикла приготовления скороварка автоматически перейдет в режим поддержания тепла, и давление внутри скороварки начнет снижаться (время спуска давления зависит от количества жидкости внутри прибора и может составить от 12 до 30 минут). В это время приготовление пищи в скороварке продолжается, поэтому данный способ спуска давления может быть рекомендован для приготовления мяса и некоторых других

блюда. Когда давление будет полностью спущено, поплавковый клапан опустится и позволит открыть крышку.

- Быстрый спуск давления. После окончания цикла приготовления Вы услышите серию сигналов, означающих завершение работы программы. Выключите прибор, нажав на кнопку «ОТМЕНА», и отключите прибор от сети. Установите поплавковый клапан в положение «» (открыто).

ВНИМАНИЕ: Не держитесь за ручку клапана! Будьте осторожны, возможен выход горячего пара или жидкости. Старайтесь не находиться близко к паровым клапанам. Пользуйтесь прихватками, касаясь горячих деталей скороварки, в том числе крышки, съемной чаши или клапанов. Поднимайте крышку таким образом, чтобы не получить ожог от выходящего пара.

Когда давление будет полностью спущено, поплавковый клапан опустится и позволит открыть крышку. Данный способ спуска давления позволяет остановить процесс приготовления пищи немедленно.

ФУНКЦИЯ СОХРАНЕНИЯ НАСТРОЕК

Скороварка ViTESSE имеет функцию автоматического сохранения настроек. Время приготовления сохраняется в памяти прибора в течение 6 часов после отключения электроэнергии. После возобновления подачи электроэнергии процесс приготовления продолжится автоматически.

РЕЖИМЫ ПРИГОТОВЛЕНИЯ

Скороварка ViTESSE имеет 11 автоматических режимов приготовления, режим поддержания температуры готовых блюд, а также функцией отсрочки старта. Внимательно отнеситесь к выбору подходящей программы.

Программа «РИС» предназначена для приготовления различных сортов риса и пловов, рассыпчатого сухого гарнира. Для приготовления вязкого риса и каш выберите режим «КАША».

Для выбора программы «РИС» нажмите на кнопку «ВЫБОР ПРОГРАММЫ» 1 раз, при этом загорится индикатор «РИС». На дисплее появится значение «P12».

Автоматическое время приготовления под давлением -12 минут.

Вы можете регулировать время приготовления под давлением в пределах 1-20 минут. Для увеличения времени приготовления под давлением нажмите кнопку «Давление +», для уменьшения - кнопку «Давление -». Каждое нажатие кнопок увеличивает или уменьшает время приготовления под давлением на 1 минуту.

Для начала приготовления на данной программе нажмите кнопку «СТАРТ».

Программа «КАША» подходит для приготовления различных каш, в том числе и молочных, кроме овсяной каши и каш быстрого приготовления.

Для выбора программы «КАША» нажмите кнопку «ВЫБОР ПРОГРАММЫ» 2 раза, при этом загорится индикатор «КАША». На дисплее появится значение «P15».

Автоматическое время приготовления под давлением -15 минут.

Вы можете регулировать время приготовления под давлением в пределах 1-35 минут. Для увеличения времени приготовления под давлением нажмите кнопку «Давление +», для уменьшения - кнопку «Давление -». Каждое нажатие кнопок увеличивает или уменьшает время приготовления под давлением на 1 минуту.

Для начала приготовления на данной программе нажмите кнопку «СТАРТ».

Программа «СУП» идеально подходит для приготовления различных супов и бульонов.

Для выбора программы «СУП» нажмите кнопку «ВЫБОР ПРОГРАММЫ» 3 раза, при этом загорится индикатор «СУП». На дисплее появится значение «P25».

Автоматическое время приготовления под давлением -25 минут.

Вы можете регулировать время приготовления под давлением в пределах 1-40 минут. Для увеличения времени приготовления под давлением нажмите кнопку «Давление +», для уменьшения - кнопку «Давление -». Каждое нажатие кнопок увеличивает или уменьшает время приготовления под давлением на 1 минуту.

Для начала приготовления на данной программе нажмите кнопку «СТАРТ».

Программа «ЖАРКА» подходит для обжаривания продуктов.

Для выбора программы «ЖАРКА» нажмите кнопку «ВЫБОР ПРОГРАММЫ» 4 раза, при этом загорится индикатор «ЖАРКА». На дисплее появится значение «180».

ВНИМАНИЕ: Режим «Жарка» предназначен для обжаривания продуктов при открытой крышке, не блокируйте крышку в этом режиме! В режиме «Жарка» вы сами контролируете время приготовления, не оставляйте продукты в этом режиме на длительное время в избежание их порчи!

Автоматическая температура приготовления: 180°C.

Вы можете регулировать температуру приготовления в пределах 180-200 градусов.

Для увеличения температуры приготовления нажмите кнопку «Давление +», для уменьшения - кнопку «Давление -». Каждое нажатие кнопок увеличивает или уменьшает температуру приготовления на 5 градусов.

Нажмите кнопку «СТАРТ», чтобы скороварка начала нагрев. Спустя минуту налейте в чашу мультиварки немного масла и оставьте нагреваться еще 5-10 минут. Затем положите в мультиварку нужные ингредиенты и начинайте обжарку.

ПРИМЕЧАНИЕ: скороварка в режиме «ЖАРКА» автоматически отключится через 2 часа работы.

Программа «РЫБА» подходит для приготовления рыбы и различных морепродуктов.

Для выбора программы «РЫБА» нажмите кнопку «ВЫБОР ПРОГРАММЫ» 5 раз, при этом загорится индикатор «РЫБА». На дисплее появится значение «P05».

Автоматическое время приготовления под давлением -5 минут.

Вы можете регулировать время приготовления под давлением в пределах 1-15 минут. Для увеличения времени приготовления под давлением нажмите кнопку «Давление +», для уменьшения - кнопку «Давление -». Каждое нажатие кнопок увеличивает или уменьшает время приготовления под давлением на 1 минуту.

Для начала приготовления на данной программе нажмите кнопку «СТАРТ».

Программа «ПТИЦА» подходит для приготовления мяса птицы.

Для выбора программы «ПТИЦА» нажмите кнопку «ВЫБОР ПРОГРАММЫ» 6 раз, при этом загорится индикатор «ПТИЦА». На дисплее появится значение «P13».

Автоматическое время приготовления под давлением -13 минут.

Вы можете регулировать время приготовления под давлением в пределах 1-30 минут. Для увеличения времени приготовления под давлением нажмите кнопку «Давление +», для уменьшения - кнопку «Давление -». Каждое нажатие кнопок увеличивает или уменьшает время приготовления под давлением на 1 минуту.

Для начала приготовления на данной программе нажмите кнопку «СТАРТ».

Программа «МЯСО» подходит для приготовления говядины, свинины, а также других видов мяса, требующих длительного процесса приготовления.

Для выбора программы «МЯСО» нажмите кнопку «ВЫБОР ПРОГРАММЫ» 7 раз, при этом загорится индикатор «МЯСО». На дисплее появится значение «P35».

Автоматическое время приготовления под давлением -35 минут.

Вы можете регулировать время приготовления под давлением в пределах 1-55 минут. Для увеличения времени приготовления под давлением нажмите кнопку «Давление +», для уменьшения - кнопку «Давление -». Каждое нажатие кнопок увеличивает или уменьшает время приготовления под давлением на 1 минуту.

Для начала приготовления на данной программе нажмите кнопку «СТАРТ».

Программа «БОБОВЫЕ» подходит для приготовления гороха, фасоли, а также других видов бобовых.

Для выбора программы «БОБОВЫЕ» нажмите кнопку «ВЫБОР ПРОГРАММЫ» 8 раз, при этом загорится индикатор «БОБОВЫЕ». На дисплее появится значение «P40».

Автоматическое время приготовления под давлением -40 минут.

Вы можете регулировать время приготовления под давлением в пределах 1-60 минут. Для увеличения времени приготовления под давлением нажмите кнопку «Давление +», для уменьшения - кнопку «Давление -». Каждое нажатие кнопок увеличивает или уменьшает время приготовления под давлением на 1 минуту.

Для начала приготовления на данной программе нажмите кнопку «СТАРТ».

Программа «ТУШЕНИЕ» подходит для приготовления тушеных блюд из мяса и овощей.

Для выбора программы «ТУШЕНИЕ» нажмите кнопку «ВЫБОР ПРОГРАММЫ» 9 раз, при этом загорится индикатор «ТУШЕНИЕ». На дисплее появится значение «P50».

Автоматическое время приготовления под давлением -50 минут.

Вы можете регулировать время приготовления под давлением в пределах 1-90 минут. Для увеличения времени приготовления под давлением нажмите кнопку «Давление +», для уменьшения - кнопку «Давление -». Каждое нажатие кнопок увеличивает или уменьшает время приготовления под давлением на 1 минуту.

Для начала приготовления на данной программе нажмите кнопку «СТАРТ».

Программа «ОВОЩИ» подходит для приготовления овощей, овощного рагу и овощных гарниров.

Для выбора программы «ОВОЩИ» нажмите кнопку «ВЫБОР ПРОГРАММЫ» 10 раз, при этом загорится индикатор «ОВОЩИ». На дисплее появится значение «P01».

Автоматическое время приготовления под давлением -1 минута.

Вы можете регулировать время приготовления под давлением в пределах 1-10 минут. Для увеличения времени приготовления под давлением нажмите кнопку «Давление +», для последующего уменьшения - кнопку «Давление -». Каждое нажатие кнопок увеличивает или уменьшает время приготовления под давлением на 1 минуту.

Для начала приготовления на данной программе нажмите кнопку «СТАРТ».

Программа «ВЫПЕЧКА» предназначена для приготовления различных пирогов, омлетов, запеканок.

Для выбора программы «ВЫПЕЧКА» нажмите кнопку «ВЫБОР ПРОГРАММЫ» 11 раз, при этом загорится индикатор «ВЫПЕЧКА». На дисплее появится значение «P40».

Автоматическое время приготовления под давлением -40 минут.

Вы можете регулировать время приготовления под давлением в пределах 1-90 минут. Для увеличения времени приготовления под давлением нажмите кнопку «Давление +», для уменьшения - кнопку «Давление -». Каждое нажатие кнопок увеличивает или уменьшает время приготовления под давлением на 1 минуту.

Для начала приготовления на данной программе нажмите кнопку «СТАРТ».

РЕЖИМ «ПОДДЕРЖАНИЕ ТЕМПЕРАТУРЫ»

В этом режиме скороварка сохраняет готовое блюдо теплым.

1. После окончания работы любой программы, скороварка автоматически переходит в режим поддержания температуры, при этом раздается звуковой сигнал и загорается индикатор «ПОДДЕРЖАНИЕ ТЕМПЕРАТУРЫ».

ПРИМЕЧАНИЕ: скороварка может поддерживать тепло в течение более чем 12 часов. Текстура и качество готового продукта начинает изменяться после 1 часа в режиме поддержания тепла.

ВНИМАНИЕ: не рекомендуем оставлять блюдо в режиме поддержания температуры надолго, т.к. это может привести к пересушиванию продукта или его подгоранию.

2. Для отмены режима нажмите кнопку «ОТМЕНА».

ФУНКЦИЯ «ОТСРОЧКА СТАРТА»

Функция «ОТСРОЧКА СТАРТА» позволит установить время, через которое Вы хотите начать приготовление блюда. Отсрочка старта возможна от получаса до 24 часов. Во избежание порчи продуктов рекомендуется устанавливать отсрочку старта не более, чем на 9 часов.

Для установки отсрочки старта:

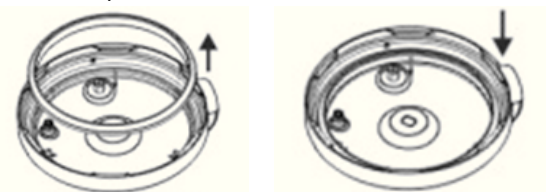
1. Заложите необходимые продукты в съемную чашу, установите чашу в скороварку и закройте крышку, повернув ее против часовой стрелки (влево), пока не сработает блокировка.
2. Выберите программу для приготовления (см. выше). Если необходимо, измените время приготовления под давлением, используя кнопки «Давление +» и «Давление -».
3. Нажмите кнопку «ОТСРОЧКА СТАРТА», при этом на дисплее загорится «0:30» (полчаса). Увеличить время отсрочки старта можно путем нажатия кнопки «ОТСРОЧКА СТАРТА». Каждое нажатие кнопки «ОТСРОЧКА СТАРТА» увеличивает время отсрочки начала приготовления на полчаса.
4. Для начала работы нажать кнопку «СТАРТ». При этом на дисплее будет мигать разделитель между цифрами часов и минут, и идти обратный отсчет времени до старта заданной программы.
5. По истечении установленного времени отсрочки старта скороварка начнет приготовление на заданной программе.

ВНИМАНИЕ: функция «ОТСРОЧКА СТАРТА» недоступна для программ «ОВОЩИ», «ЖАРКА» и «ВЫПЕЧКА».

ЧИСТКА И УХОД

После каждого использования скороварки, или когда она долго не использовалась, ее необходимо чистить.

1. Отключите скороварку от электросети и дайте ей остыть. Отсоедините шнур питания от прибора.
2. Промойте съемную чашу в теплой мыльной воде. Протрите чашу насухо снаружи и внутри.
ВНИМАНИЕ: Не используйте абразивные моющие средства и жесткие щетки для чистки съемной чаши.
3. Протрите корпус скороварки влажной губкой. Не погружайте его в воду.
4. Чтобы прочистить поплавковый клапан, возьмитесь за него и потяните вверх.
5. Откройте крышку и открутите фиксирующую втулку. Снимите крышку с кронштейна.
6. Вымойте крышку, фиксирующую втулку и поплавковый клапан в теплой мыльной воде, промойте чистой водой. Полностью высушите детали, а затем установите их на место в обратном порядке.
7. Если на силиконовое кольцо под ободом крышки попали частицы пищи - аккуратно снимите кольцо и тщательно промойте. Высушите кольцо, а затем установите обратно.



ПРИМЕЧАНИЕ: Если силиконовое кольцо установлено неправильно, скороварка не будет работать. Следите за тем, чтобы уплотнительное кольцо всегда было чистым, гибким, без трещин и надрывов. Если кольцо повреждено, не включайте устройство. Обратитесь в сервисный центр.

ВНИМАНИЕ: Детали скороварки не предназначены для чистки в посудомоечной машине.

РЕКОМЕНДАЦИИ ПО ИСПОЛЬЗОВАНИЮ СЪЕМНОЙ ЧАШИ

1. Для помешивания используйте только деревянную лопатку или специальную пластмассовую ложку.
2. Не разрезайте блюдо внутри чаши.
3. Внутренняя чаша скороварки имеет антипригарное покрытие, поэтому после нескольких дней эксплуатации на ней может появиться коричневый налет.
4. Не наливайте в чашу уксус, это может повредить антипригарное покрытие.
5. Спустя некоторое время чаша может поменять цвет из-за того, что контактирует с водой и моющими средствами - это нормальное явление, и скороварка может без опасений эксплуатироваться дальше.
6. Для увеличения срока эксплуатации не рекомендуется мыть съемную чашу в посудомоечной машине.

ТЕХНИЧЕСКИЕ ХАРАКТЕРИСТИКИ

Мощность: 900 Вт
 Объем съемной чаши: 5 л
 Параметры питания: 220-240 В ~ 50/60 Гц

ВНИМАНИЕ: Вследствие постоянного процесса внесения изменений и улучшений между инструкцией и изделием могут наблюдаться некоторые различия. Производитель оставляет за собой право вносить технологические изменения в прибор без дополнительного уведомления.

Срок службы товара не менее 2-х лет при соблюдении условий эксплуатации.



По окончании срока эксплуатации электроприбора не выбрасывайте его вместе с обычными бытовыми отходами, а передайте в официальный пункт сбора на утилизацию. Таким образом Вы сможете сохранить окружающую среду.